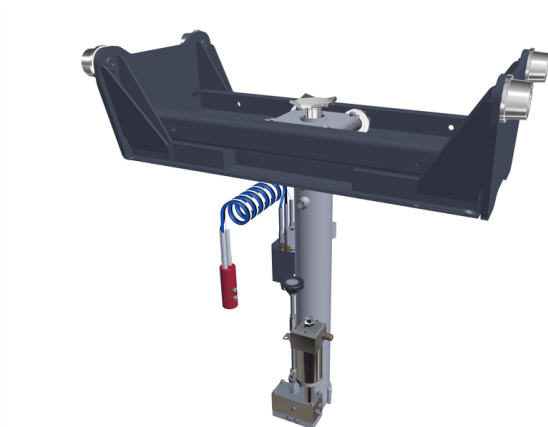


LIFTING TECHNOLOGY

PIT JACK

MPJ 4.0/750 1S HA
VP 254033



MPJ 4.0/750 1S HA

VP 254033

The suspended pit jack lifts up to 4.0 t. The overhead rail pit jack, with deep-drawn carriage and long 750 mm stroke, is suitable for work with or without axle crossbeams and support systems. Compressed-air rapid control provides fast up and down movement when there is no load. The equipment also includes an air motor for lifting the piston rod under load.

PRODUCT DETAILS/ACCESSORIES

1-stage telescopic, rail-guided, suspended

Description:

Automatic pit jack with pneumatic motor and fast control
Specifically for wheel and brake works and dismantling smaller assemblies in conjunction with axle lifting beams and support stands for cars and vans with 4.0 t load capacity

Control:

- Efficient fast control for UP and DOWN movement Integrated as standard
- Precision, user-friendly, pneumatic manual control cylinder with magnetic bracket for convenient and flexible quick stroke and load lifting with enlarged view into operator radius
- Delicate and precision lowering of the pit jack with tried & tested system with integrated dead man's control

Design:

- For precise movement, the pit jack is rail-guided at the top edge of the pit

- Guarantees easy movement of the pit jack since all rollers are fitted with needle bearings crossways and lengthways
- Long total stroke of 750 mm to reach high-up units
- The pit jack is fitted with a downward deep-drawn P carriage for integrating an axle lifting beam at any height
- Alternatively, a straight S carriage can be used too
- Variable modular carriage system for various pit widths (700 - 1200 mm) in conjunction with different roller versions and clearance degrees for adapting to work pit circumstances
- Corrosion-resistant piston rods thanks to self-lubrication
- High-quality powder-coating protects against corrosive liquids and elevates quality look and feel on a lasting basis

Scope of delivery:

- Pit jack with hydro-pneumatic automatic control system
- Deep-drawn P carriage and rollers for rails
- Standard support lugs 120 x 120 mm
- Operating instructions
- EC conformity certificate
- Colour: Jack base frame RAL 7040
 - Attachments and carriage RAL 7016

TECHNICAL DATA

Load capacity (CE)	4,000 kg
Stroke distance	750 mm
Lifting levels	1
Min. pick-up height from roller slide rail	- 69 mm
Pit jack depth for roller slide rail	1070 mm
Max. lifting height above roller slide rail	681 mm
Slide rail width inner dimensions	700 1200 mm
Carriage adjustable range	140 mm
Roller rest width	40 mm
Roller rest incline	8 % / 4.6°
Max. parallelism deviation slide rails	10 mm
Roller diameter (at the flange)	80 (95) mm

LIFTING TECHNOLOGY PIT JACK

MPJ 4.0/750 1S HA
VP 254033



TECHNICAL DATA

Support diameter inside/outside	30/45 mm
Piston rod diameter	45 mm
Oil quantity/quality	3.3 l / HLP-D 10
Drive	350 l/min. 8 bar
Operating pressure	144 bar
Weight	198 kg

ACCESSORIES

ACCESSORIES - CARRIAGE

VZ 975920	Jack-mounted compressed air maintenance unit
VZ 975923	S-carriage for suspended pit jacks up to 16.5 t -EXTRA CHARGE-
VZ 975605	Offset rollers for suspended pit jacks of up to 16.5 t -EXTRA CHARGE-
VZ 975924	Cylindrical rollers for suspended pit jacks in pit profile rails
VZ 975562	Special rollers f. suspended and rail-guided pit jacks -EXTRA CHARGE-

ACCESSORIES - TRAVERSES, SUPPORT BRIDGES, SUPPORT SYST.

VZ 975742	Axle Crossbar Load Capacity 3.5 t Model: ATV 3.5/30
-----------	---

ACCESSORIES - LOAD LIFTING PADS, LIFTING PADS, EXTENDERS, SUPPORT TUBES

VZ 975369	Lifting Pad with Rubber Surface, 2 - 4.5 t Load Capacity MODEL: RP 125
VZ 971221	Support Plate Extension 100 mm galvanized (2 pcs.) Diameter of supports 35 mm

VZ 975414	Spacer Block for Support Systems TAB (100 x 140 x 450 mm)
VZ 975611	Pit crossing continuously adjustable for pits w/o wheel guides
VZ 975612	Pit crossing continuously adjustable for pits with wheel guides
VZ 975613	Railings for pit crossing continuously adjustable

SUPPLEMENTARY CHARGES

VT 998106	Transportkosten Grubenheber Abstütssystem, Getriebeplatten
VT 998108	Transportkosten Abstütssystem, Getriebeplatten
VM 996148	Montagekosten Grubenheber
VV 997598	Packaging Suspended pit jack not stackable -EUROPE-
VV 997599	Packaging Suspended pit jack stackable -EUROPE/OVERSEAS-
VV 997601	Packaging Lifting beams, gearbox plates, stackable -EUROPE/OVERSEAS-