

# TRUCKBAY THE NO. 1 IN READY-MADE PITS



made by MAHA  
made in Germany



THE INSPECTION AND MAINTENANCE PIT

# TRUCKBAY

by **ATT**

## Tailor-made to your requirements

- PTI-TRUCKBAY** with test equipment
- TRUCKBAY** with waste oil disposal
- TRUCKBAY** as a working pit with waste oil disposal and pit jacks

## 5 services from a single source

Electrical installation, lighting, pressurised air installation, flooring, pit ventilation and much more. The TRUCKBAY is a prefabricated workshop pit, tailor-made to your requirements for trucks and buses up to 60 t. It allows **modern, ergonomic work** with a headroom of up to 1.60 m and is **welded both water and oil tight**.

Due to its electric components and numerous equipment options the TRUCKBAY can guarantee **highly efficient, process-optimised and safe inspections** and repairs.

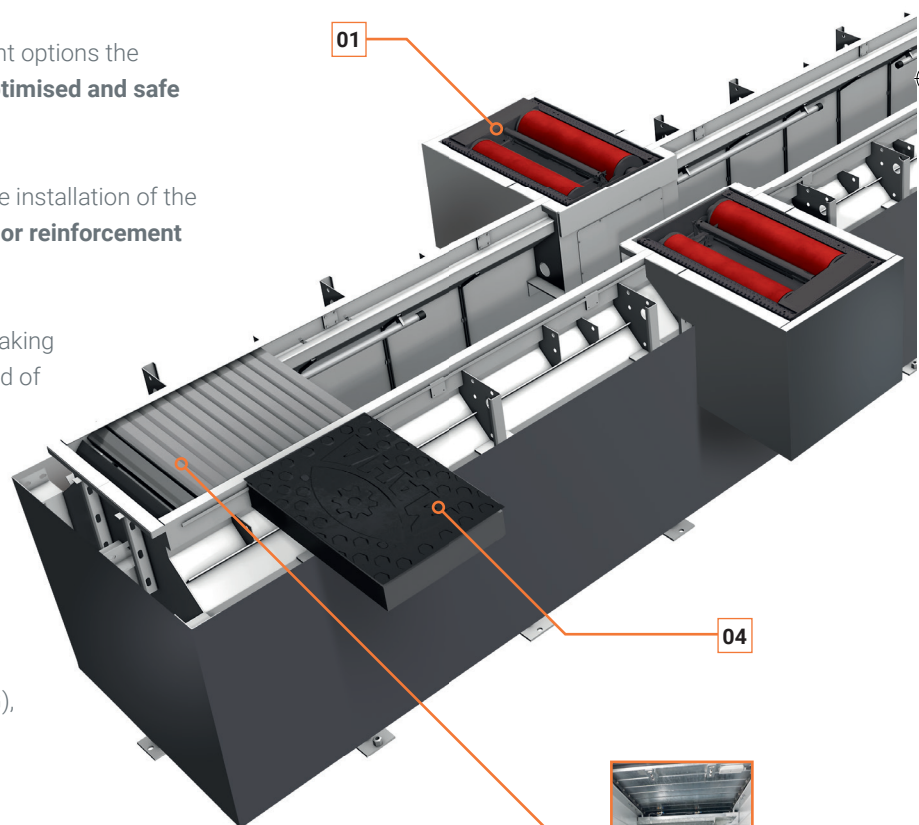
The self-supporting construction ensures that during the installation of the TRUCKBAY, **no complex and cost-intensive formwork or reinforcement work** is required.

The TRUCKBAY is also available with a sliding cover, making it **completely traversable** with the weight of a traffic load of 60 t. This allows you to make full use of your workshop and hall areas when the pit is closed.

Put together your TRUCKBAY. You can **select from a variety of equipment features** that make your daily work far easier, safer, and more efficient.

As a certified specialist company in accordance with section 19(I) of the German Water Resources Act (WHG), we can meet all occupational and environmental safety requirements for our TRUCKBAY.

Pit lane for tools, oil, etc.



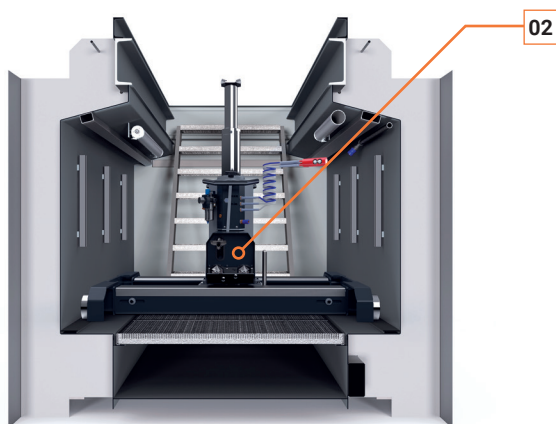
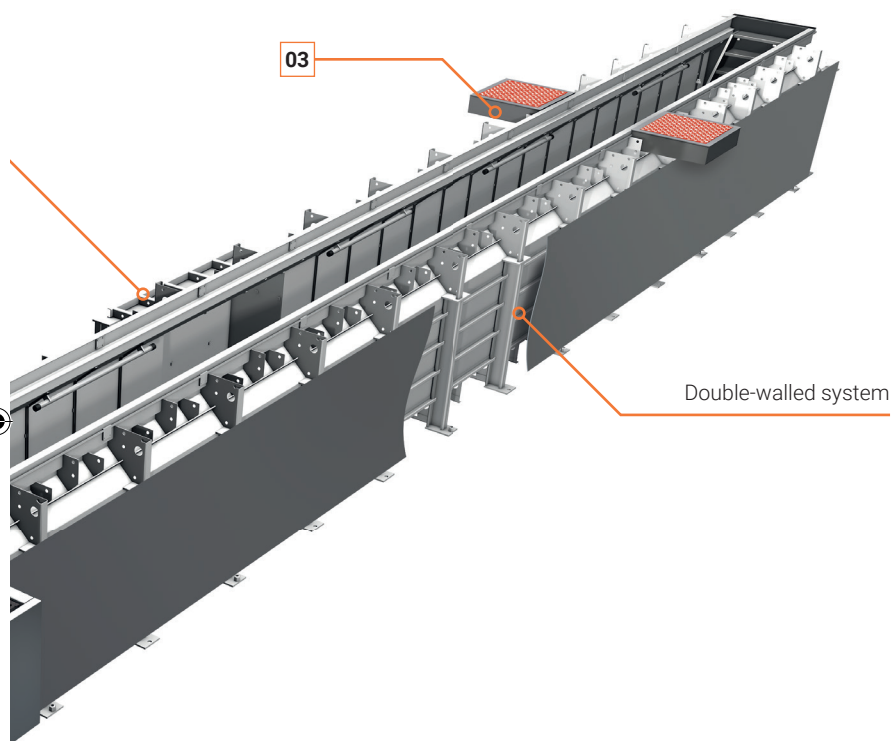
Traversable rolling cover

We would be delighted to advise you. Together, we can configure your TRUCKBAY! ☎ +49 8374 585 143



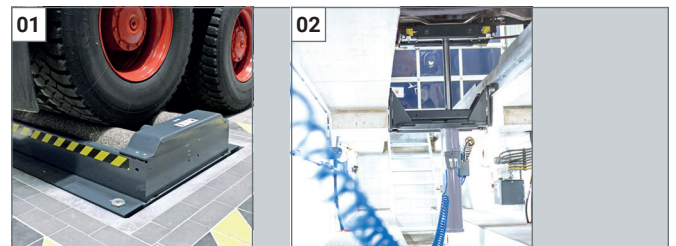
## Product advantages of an ATT TRUCKBAY

- Water and oil tight welded working pit in accordance with section 62 of the German Water Resources Act (WHG), which meets all occupational and environmental safety requirements.
- Modern, ergonomic working due to a headroom of up to 1.60 m, with widened standing area at the lower area of the working pit system.
- Standard-compliant floor covering, **slip-resistance class R12**.
- Corrosion protection through active primer, top coat and colour varnish coating.
- Connection of additional workshop equipment via integrations, e.g. brake tester, axle play detector, etc.
- Self-supporting construction – no cost-intensive formwork and reinforcement work required.
- Straightforward transport along with efficient, dimensionally stable installation of the pit body thanks to **double-walled** filling chamber construction.
- Option to install in existing hall.



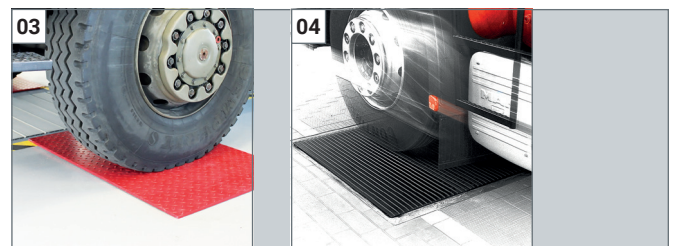
Pit cross-section

## TESTING AND LIFTING TECHNOLOGY



01 Brake tester

02 Option of floor-running and suspended pit jacks



03 Axle play tester

04 Side-slip tester

# IMPRESSIONS

## FAST, PRECISE, STRAIGHTFORWARD



Delivery of the ready-made TRUCKBAY to the project location



The base slab is concreted on site in accordance with specifications.



The TRUCKBAY is lifted in one piece with a crane to its destination.



The TRUCKBAY is levelled before casting.



Sump



LED tube luminaire, 1630 mm long, 3800 lm



All the necessary supply lines are routed and connected.



The double wall is now filled with concrete to achieve the required stability.



Once the concrete has set, the pit body can be cast in the floor.

### Customer-specific options:

- Basic body – selectable in opening width, height, basic width and length
- Electrical installation and lighting
- Pressurised air installation; waste oil disposal with trough
- Preparation for connecting additional ATT, MAHA, SLiFT workshop and testing technology
- Sump or gully option
- Stairs optionally also with parking position for pit jacks
- Pit lanes, bus hatch, sponson
- Traversable rolling cover

ATT – a brand of MAHA

Hoyen 20 · 87490 Haldenwang · Germany

[www.a2t.de](http://www.a2t.de)